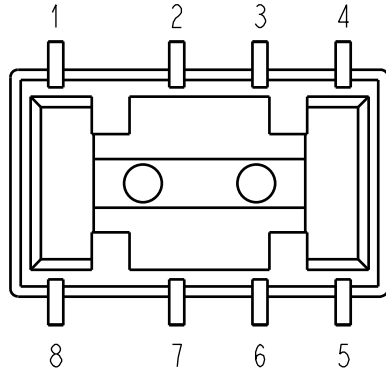
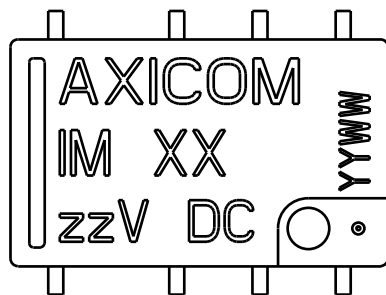
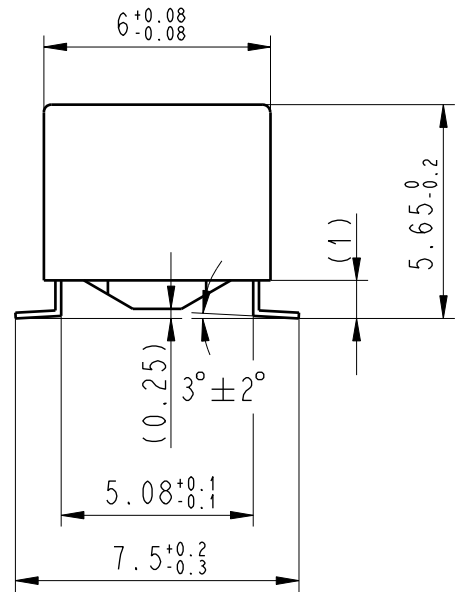
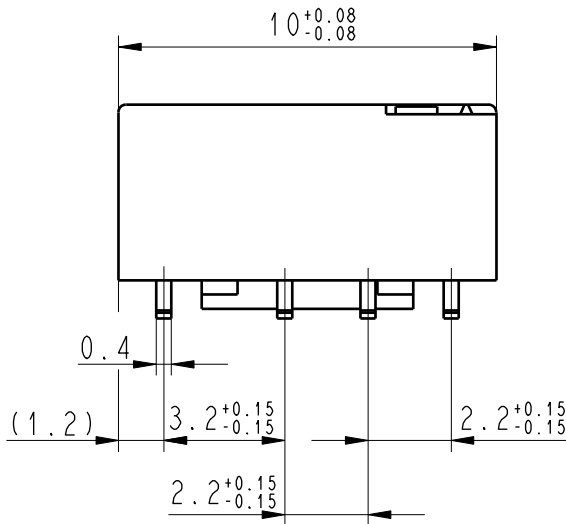


LOC	DIST	REVISIONS				
P	LTR	DESCRIPTION	DATE	DWN	APVD	
HJ	-					
	A4	Doc change E2000-DOK02 to C-1462037-2	08DEC2003	CW	HD	
	A5	change marking	24JUL2006	UKo	HD	
	A6	new bottom view	28Jul2006	UKo	HD	



Relay - bottom view



XX = Relay type
zz = nominal voltage
YYWW = Date code

DRAWING ALIAS	E2000-DOK02
---------------	-------------

2000

RELEASED FOR PUBLICATION

THIS DRAWING IS UNPUBLISHED.

© COPYRIGHT 2000 BY TYCO ELECTRONICS CORPORATION. ALL RIGHTS RESERVED.

DIMENSIONS: mm	DWN UKo 9193	20Jan1999	MATERIAL	-	FINISH	-
	CHK HD 9121	20Jan1999	tyco Electronics AXICOM AG CH - 8804 Au ZH			
TOLERANCES UNLESS OTHERWISE SPECIFIED: DIN 7168-m	APVD HD 9121	20Jan1999	NAME			
	PRODUCT SPEC		IM-Relay SMT Gull Wings Dimensions			
0 PLC ±-	APPLICATION SPEC		SIZE	CAGE CODE	DRAWING NO	RESTRICTED TO
1 PLC ±-	-		A4	00779	C-1462037-2	-
2 PLC ±-	-		CUSTOMER DRAWING			SCALE 5:1
3 PLC ±-	-					SHEET 1 OF 1
4 PLC ±-	-					REV A6
ANGLES ±-	WEIGHT -					

